

ATTRACT[®]

Reusable magnetic display & partitioning system



A STYLISH & PRACTICAL WAY TO KEEP PEOPLE INFORMED AND SAFE IN THE WORKPLACE

UPDATABLE, EASY-CLEAN PARTITIONS

DESKTOP PARTITION UNITS

CLEAR VISION PANEL

MAGNETIC DRY WIPE SURFACE

MULTIPLE SURFACE OPTIONS

AVAILABLE

SIDE PARTITION UNITS

FULL-LENGTH

CLEAR VISION PANEL

MAGNETIC DRY WIPE

SURFACE – MULTIPLE

SURFACE OPTIONS

AVAILABLE



MADE FROM RESILIENT MATERIALS. EASY TO SANITISE AND KEEP CLEAN

**DESIGNED &
MADE IN THE UK**

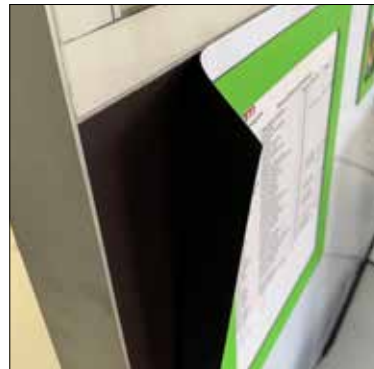


REUSABLE & UPDATABLE MODULAR PARTITIONING SYSTEM TO CREATE SAFE WORKSTATIONS

VERSATILE & FLEXIBLE OPTIONS



MORE THAN A BARRIER – MULTI-USE SCREEN ENHANCES A WORKSTATION
Front and side panels become magnetic noticeboards and information displays – a useful addition as well as a safe addition.



Choose the surface of the panels –
Drywipe, Chalkboard or Printed allowing
you to personalise work stations.



MULTI-USE DESIGN ALLOWS INSTANT UPDATE FROM ONE SURFACE PANEL TO ANOTHER

COVID-19 SECURE FOR THE PRESENT – REUSABLE & UPDATABLE FOR THE FUTURE

CLEAR PANEL



No need to change the partition system, just change the way it is used. For future use, replace the clear panel with magnetic chalkboard.



MAGNETIC CHALK BOARD



INVEST IN A SAFE SOLUTION FOR TODAY, AND ENHANCE YOUR WORKSPACE FOREVER

CLEAR PEOPLE PROTECTION SCREEN



Clear window prevents isolation, whilst allowing communication to continue.

MAGNETIC PRIVACY SCREEN/PLANNING BOARD



As desired, the window can be replaced with planning board, privacy screen, or suitable material choice (Chalkboard, Drywipe, etc).

MAGNETIC STAND-ALONE PANEL



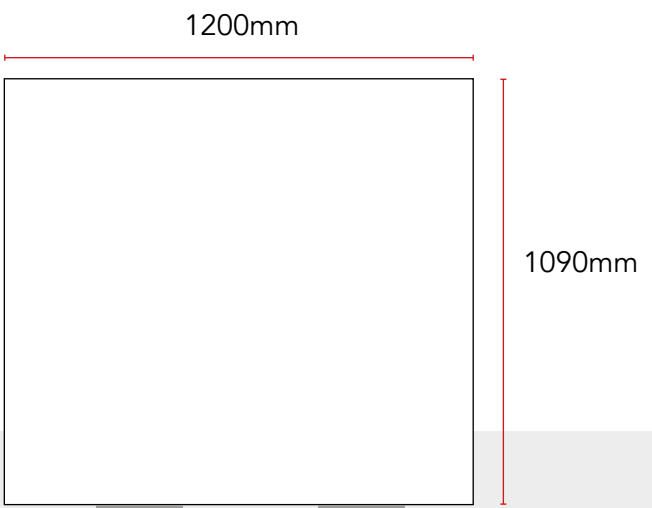
When social distancing is ended, easily re-locate panels elsewhere as an information point or advertising.

MULTI-USE PANEL OFFERS A FLEXIBLE & PRACTICAL SOLUTION

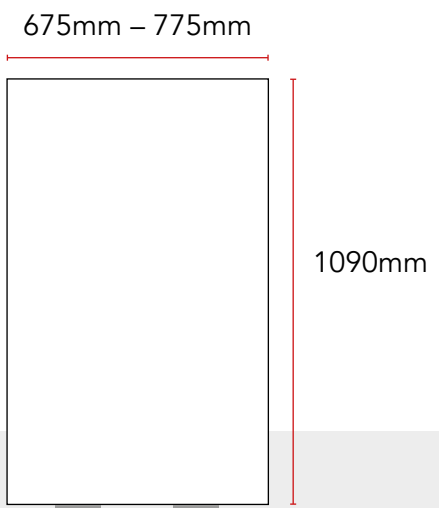


DOUBLE-SIDED SIZE OPTIONS

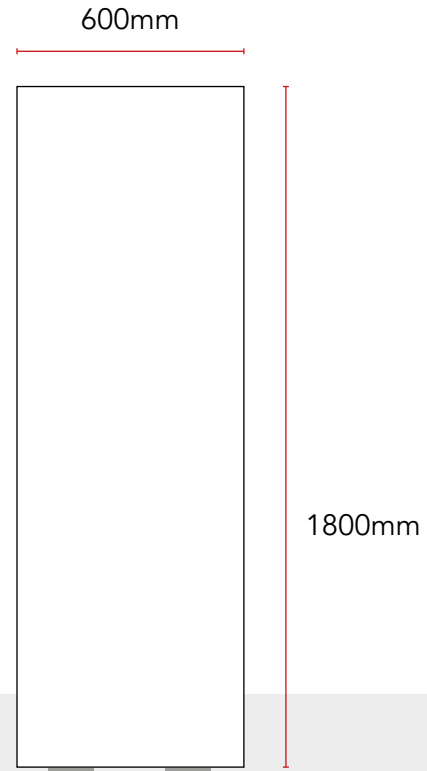
DESK PARTITION



DESK SCREEN



PEOPLE SCREEN



Double sided screens with brushed metal edging and brushed metal or white feet

BESPOKE SIZES ARE AVAILABLE IF REQUIRED

CLEAR PANEL – SIZE OPTIONS



Clear single panel with brushed metal edging and feet

STANDARD GENERAL SCREEN PANEL

1500mm



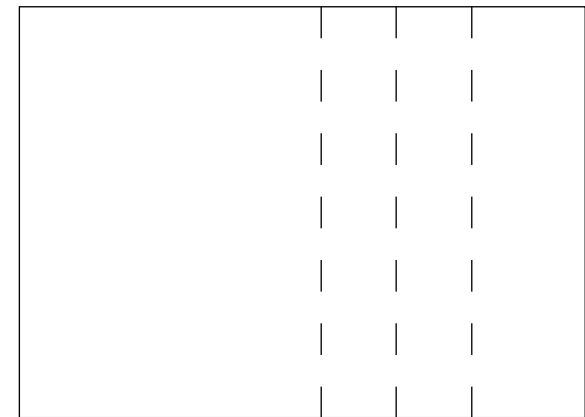
1200mm



1000mm



800mm



1090mm

BESPOKE SIZES ARE AVAILABLE IF REQUIRED

DISPLAY PANEL SIZE OPTIONS

FREE-STANDING FLOOR DISPLAY
DOUBLE OR SINGLE SIDED



- 400 x 1500
- 400 x 1600
- 400 x 1800
- 450 x 1500
- 450 x 1600
- 450 x 1800
- 500 x 1500
- 500 x 1600
- 500 x 1800
- 600 x 1500
- 600 x 1600
- 600 x 1800
- 1000 x 1600
- 1200 x 1800

DESKTOP DISPLAY
DOUBLE OR SINGLE SIDED



- A4 (210 x 297)
- A3 (297 x 420)
- 400 x 600
- 500 x 700
- A1 (590 x 845)

WALL MOUNTED DISPLAY



- 400 x 600
- 500 x 700
- 600 x 600
- 590 x 846 (A1)
- 600 x 1000
- 800 x 1000
- 800 x 1400
- 800 x 2000
- 1000 x 1000
- 1000 x 1200
- 1000 x 1400
- 1000 x 1600
- 1000 x 1800
- 1000 x 2000
- 1200 x 1200
- 1200 x 1500
- 1200 x 1800
- 1200 x 2000

BESPOKE SIZES AVAILABLE ON REQUEST

WALL MOUNTED DISPLAY PANELS

IDEAL FOR FAST-CHANGING MESSAGES



Holds up to 3 layers of images – add and remove without mess – no adhesive required, magnetically attracts layer after layer

SAME PANEL DIFFERENT MESSAGE, LONG LASTING, QUICK CLEAN AND SAFE

TABLETOP DISPLAY PANELS

QUICK CHANGING MESSAGE – QUICK CHANGING STAND



EACH LAYER CAN BE WIPED DOWN, STORED AND REUSED WHEN NEEDED

Holds up to 3 layers of images – add and remove without mess – no adhesive required, magnetically attracts layer after layer

SAME PANEL DIFFERENT MESSAGE, LONG LASTING, QUICK CLEAN AND SAFE

ACCESSORIES

MAG POCKET WALLETS



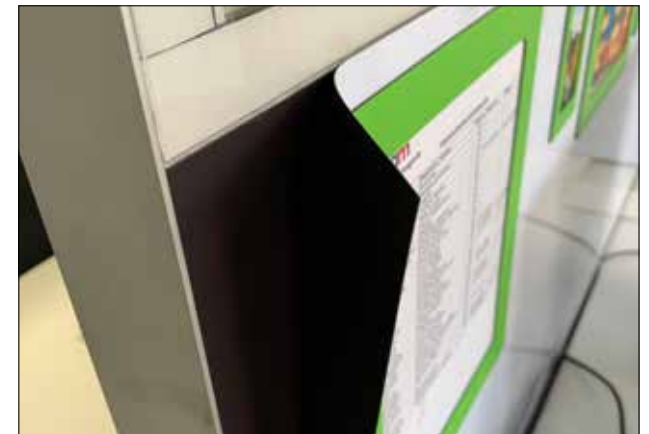
A4, A3 & A5 coloured magnetic wallet pockets

PEN POTS



Strong magnetic penholder available in assorted colours

MAGNETIC BOARD REPLACEMENTS



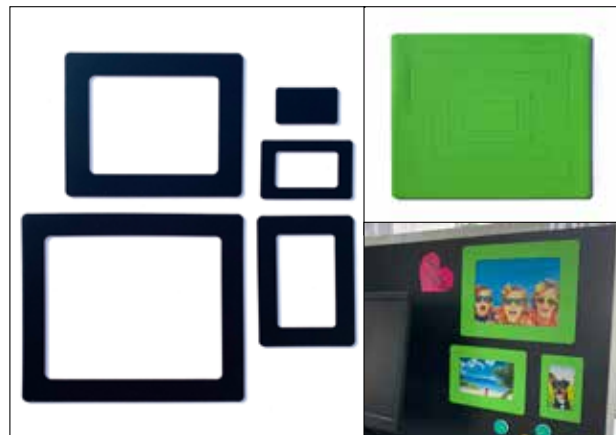
Easy-peel and replace magnetic panels to instantly update the partition

MARKER MAGNETS



Available in multiple sizes, colours and strengths

MAG FRAMES



Multiple sized magnetic frames available in assorted colours

ADDITIONAL ACCESSORIES INCLUDE:

- Hanging brackets
- Living wall panels
- Acoustic panels
- Shelving

If you require something specific please speak to our sales team – 0114 244 1171 or email us – sales@anchormagnets.com

MAKE THE SYSTEM YOUR OWN WITH OUR RANGE OF ACCESSORIES

ATTRACT[®]



Sustainable magnetic display & partitioning system



Anchor Magnets Ltd

Bankside Works - Darnall Road, Sheffield - UK - S9 5AH

T: +44 (0) 114 244 1171 E: sales@anchormagnets.com

W: www.anchormagnets.com

THE PERFECT SOLUTION FOR A FAST-CHANGING WORKPLACE